

# ISOBLOW STANDARD

## 2x 230 V

### THE ADVANTAGES ARE OBVIOUS

- large hopper with two shredder shafts
- easy loading via the filling flap
- the attachment is removable
- 6-chamber sluice with abrasion-resistant rubber sealing lips. No pressure loss - low wear
- Non-return valves protect the blowers from backpressure
- Easy operation via radio remote control
- Material quantity adjustable: via radio remote control - electronic material pusher
- easy material and air volume control due to frequency converters
- air lock ventilation
- Large pneumatic wheels, easy to transport
- Luminous flux 2x 230 V
- Extraction in combination with ISOCELL extraction drum possible
- An amplifier station can be connected to increase the air output.



The ISOblow Standard is a very powerful blowing machine for the processing of cellulose insulation as well as other approved loose and free-flowing insulation materials.

The filling is carried out via a filling flap. The attachment can be removed for transport.

Two shredder shafts in the lower area of the hopper ensure very good loosening of the cellulose.

The ISOblow Standard is operated and the material and air volume controlled via the ISOCELL radio remote control.

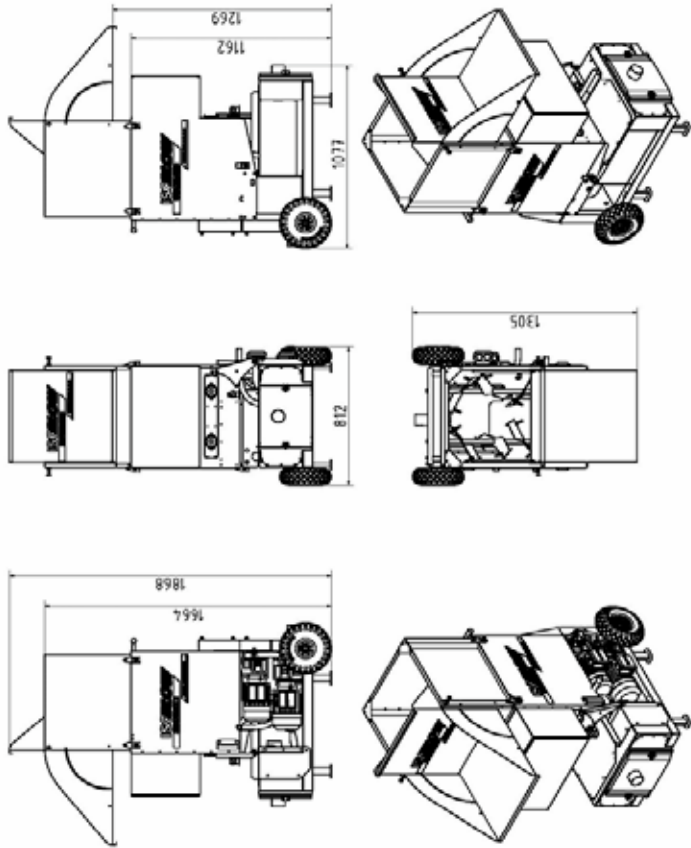
The amount of material is controlled by electronic material slides via radio remote control.

This enables an even delivery rate even with small insulation thicknesses.

Two pneumatic wheels and an optimal weight distribution allow an easy transport (one person is sufficient!).

## ISOBLOW STANDARD 2x 230 V

### TECHNICAL DATA



|                                  |   |
|----------------------------------|---|
| <b>Dimensions (mm)</b>           |   |
| length                           | 950 mm                                      |
| width                            | 800 mm                                      |
| height                           | 1650 mm                                     |
| <b>capacity</b>                  | 250 l = 2 Sack of loosened cellulose        |
| <b>weight</b>                    | 235 kg                                      |
| <b>electrical connected load</b> | 230 V / 50 Hz, 16 A                         |
| <b>power consumption</b>         |   |
| sluice drive                     | 1,1 kW                                      |
| shredder drive                   | 0,75 kW                                     |
| air generation                   | 3,4 kW                                      |
| total output                     | 5,25 kW                                     |
| <b>Max. Pressure</b>             | 350 mbar                                    |
| <b>Max. Air volume</b>           | 390 m <sup>3</sup> /h                       |
| <b>operation</b>                 |   |
| ISOCELL radio remote control     | Air and material quantity control via radio |



agitator



air intake



electronic  
material pusher



sluice